

Patents, Designs, and Trade Marks

SUPPLEMENT

TO THE

NEW ZEALAND GAZETTE

OF

THURSDAY, DECEMBER 1, 1910.

Published by Authority.

WELLINGTON, THURSDAY, DECEMBER 1, 1910.

CONTENTS.

	Page
International and Intercolonial Arrangements for the Mutual Protection of Patents and Trade Marks ..	4147
Notice <i>re</i> Holidays	4148
Applications for Letters Patent filed	4148
Complete Specifications filed after Provisionals ..	4149
Complete Specifications accepted	4149
Provisional Specifications accepted	4153
Letters Patent sealed	4153
Letters Patent on which Fees have been paid ..	4153
Applications for Letters Patent abandoned ..	4153
Applications for Letters Patent void	4154
Application for Letters Patent lapsed	4154
Letters Patent void	4154
Design expired	4154
Applications for Trade Marks filed	4154
Applications for Registration of Trade Marks ..	4154
Trade Marks registered	4161
Trade Mark Renewal Fees paid	4161
Trade Marks removed from the Register	4161
Trade Mark restored to the Register	4161
Subsequent Proprietors of Trade Marks registered ..	4161
Request for Amendment of Trade Mark Application	4161

International and Intercolonial Arrangements for the Mutual Protection of Patents and Trade Marks.

INTERNATIONAL CONVENTION.

THE following countries now belong to the Convention :—

- | | |
|--|--|
| Australia. | Italy. |
| Austria-Hungary. | Japan. |
| Belgium. | Mexico. |
| Brazil. | New Zealand. |
| Ceylon. | Norway. |
| Cuba. | Portugal, with the Azores and Madeira. |
| Denmark and Faroe Islands. | Servia. |
| Dominican Republic. | Spain. |
| France, with Algeria and Colonies. | Sweden. |
| Germany. | Switzerland. |
| Great Britain. | Tunis. |
| Holland, with East Indian Colonies, Curaçoa, and Surinam.* | United States of America. |

* Trade marks only.

Separate arrangements have been made between Australia and New Zealand.

Particulars of the Convention and of such arrangements may be seen in the following *Gazettes* :—

Notification of adhesion of New Zealand to the Convention, with text thereof (in English), in the *Gazette* of 26th November, 1891; notification of adherence of New Zealand to the Additional Act of the Convention, with text (in English) of such Additional Act, in *Patents Supplement to Gazette* No. 101, of the 16th November, 1905; Order in Council applying section 103 of the Imperial Act to New Zealand, in *Gazette* No. 27, of the 15th May, 1890; Orders in Council containing arrangements between Australia and New Zealand, in *Patent Supplements to the Gazette* Nos. 22, of the 9th March, 1905, and 38, of the 20th April, 1905.

Christmas and New Year Holidays.

Office of the Minister of Internal Affairs,
Wellington, 21st November, 1910.

IT is hereby notified for general information that Monday, the 26th December, Tuesday, the 27th December, and Wednesday, the 28th December, 1910, and Monday, the 2nd January, and Tuesday, the 3rd January, 1911, will be observed as holidays in the public offices of the Government of New Zealand.

By order.

HUGH POLLEN,
Under-Secretary.

Applications for Letters Patent filed.

LIST of applications for Letters Patent filed. (Where a complete specification accompanies an application an asterisk is affixed; in all other cases a provisional specification has been lodged. In all cases where the applicant is not the inventor the name of the latter appears in italics in brackets. † Denotes an application under the International and Intercolonial Arrangements.)

Neal, J. M., Wellington, N.Z.	Boot-cleaning outfit; 28723; 11th November.
Swanell, C. T., Wellington, N.Z.	Smoke-consumer; 28724; 11th November.
Brydon, G., Christchurch, N.Z.	Machine sheep-shears sharpener; 28725; 10th November.
Fletcher, T. N., Thames, N.Z.	Target; 28726; 12th November.
Clarkson, F. W., Fairlie, N.Z.	Hat-pin; 28727; 11th November.
Sharples, D. T., West Chester, U.S.A.	Teat-cup*; 28728; 11th November.
Milsom, J. R., Watertown, U.S.A.	Wool-cleaner*; 28729; 11th November.
Clydesdale, W. C. S., Dunedin, N.Z.	Window-sash lock, &c.; 28730; 14th November.
Henshaw, E., Wellington, N.Z.	Window-washer; 28731; 14th November.
Grainger, A. M., Dunedin, N.Z.	Boat-frame; 28732; 12th November.
Wild, C. W., Woodville, N.Z.	Tobacco pipe cleaner; 28733; 15th November.
Roberts, F., Epsom, N.Z.	Railway-tablet-exchange bracket; 28734; 15th November.
Hines, J., St. Leonards, Eng.	Stone heating and drying*; 28735; 15th November.
Benson, R. S., Middleton, St. George, Eng.	Coal-washing*; 28736; 15th November.
Head, Wrightson, and Co., Limited, Thornby-on-Tees, Eng.	Coal-washing*; 28736; 15th November.
Maclean, T., Greenhills, N.Z.	Door and window fastener; 28737; 14th November.
Moss, E., Christchurch, N.Z.	Egg-packer; 28738; 14th November.
Hovell, D. de B., Sumner, N.Z.	Furnace-draught; 28739; 16th November.
Yarrow, R., Wellington, N.Z.	Rubber-substitute; 28740; 16th November.
Piercy, E. C., Aramoho, N.Z.	Hat-fastener; 28741; 16th November.
White, S., Mangatoki, N.Z.	Pig-holder; 28742; 16th November.
Dahl, N. L., Palmerston North, N.Z.	Pasteurizer-regulator*; 28743; 16th November.
Paterson, J., Te Aroha, N.Z.	Milking-machine cup; 28744; 14th November.
Wight, R. B., Takapuna, N.Z.	Mincing-machine; 28745; 17th November.
Moad, A., jun., Springhill, N.S.W.	Potato-dropper*; 28746; 17th November.
Jervie, A. J., Petersham, N.S.W.	Potato-dropper*; 28746; 17th November.
Hanlon, M. I. M., Sydney, N.S.W.	Saucepan*; 28747; 17th November.
Eland, W., Sydney, N.S.W.	Saucepan*; 28747; 17th November.
Bruce, J., Wakefield, N.Z.	Horse-cover; 28748; 17th November.
Tuck, W. A., Wakefield, N.Z.	Horse-cover; 28748; 17th November.
Stanley, J. C. W., Santa Cruz, U.S.A.	Wood-pulp manufacture*; 28749; 14th December, 1909.†
Howden, A. F., Dunedin, N.Z.	Tobacco-cutter; 28750; 15th November.
Stubbs, F., Auckland, N.Z.	Closet-flush; 28751; 16th November.
Hunter, W. E., Maungakarama, N.Z.	Wire-strainer; 28752; 18th November.
Tait, A. L. J., Dunedin, N.Z.	Propeller; 28753; 16th November.
Veale, H., Roxburgh, N.Z. (<i>Mehring, W.</i>)	Cow-milker; 28754; 16th November.
Dyer, G. P., Dunedin, N.Z.	Acetylene generator*; 28755; 16th November.
Riddell, W., Dunedin, N.Z.	Cheese-coating*; 28756; 17th November.
Burgess, J. N. D., Dunedin, N.Z.	Washing boiler discharge; 28757; 17th November.
Chatterton, S., Ellerslie, N.Z.	Cribbage and scoring means*; 28758; 18th November.
Ziele, W. S., Sydney, N.S.W.	Match-box opening; 28759; 19th November.
Ziele, C. W., Christchurch, N.Z.	Match-box opening; 28759; 19th November.
Hamn, L. G., Manuaia, N.Z.	Boot sole and heel; 28760; 21st November.
Tobin, P. J., Raetihi, N.Z.	Solder; 28761; 21st November.
Neff, C., and Brandes, A., Hanover, Germany	Liquid-treatment; 28762; 23rd November.
Lowry, H. Belfast, Ireland	Sewage-pipes, removing obstructions in; 28763; 23rd November.
Kelly, S. W., Auckland, N.Z.	Carpet-roll clip; 28764; 23rd November.
Lazarus, H. G., Wellington, N.Z.	Window-sash-rattling preventer; 28765; 23rd November.
Sykes, G., Wellington, N.Z.	Window-sash-rattling preventer; 28765; 23rd November.
Hughes, W. E., Wellington, N.Z.	Window-sash-rattling preventer; 28765; 23rd November.
Wunderlich, C. B. S., Grafton, N.S.W. (<i>Crew, H. C.</i>)	Butter-box; 28766; 23rd November.
Schruth, W. A. O., Perth, W. Australia	Coin-freed machine*; 28767; 23rd November.
Mackay, W. R., Perth, W. Australia	Coin-freed machine*; 28767; 23rd November.
Sinclair, R., Sydney, N.S.W. (<i>Sampson, J. A.</i>)	Ammonia and other gas compressor*; 28768; 10th February.†
Tandy, C., Wellington, N.Z.	Game-apparatus; 28769; 23rd November.
Rison, A. J., Hastings, N.Z.	Venetian blind; 28770; 23rd November.
Allen, W. A., Hastings, N.Z.	Venetian blind; 28770; 23rd November.
Shattky, C. H., Hastings, N.Z.	Railway-rail joining; 28771; 22nd November.
Fewings, T. H., Christchurch, N.Z.	Basket-bottom; 28772; 23rd November.
Walton, F. H., Christchurch, N.Z.	Basket-bottom; 28772; 23rd November.
Hayes, C. W., Huntly, N.Z.	Sprayer; 28773; 24th November.
United Shoe Machinery Company, Paterson, U.S.A. (<i>Mayo, B. F., and La Chapelle, E. I.</i>)	Gripper; 28774; 24th November.
Hayes, E., Otarehua, N.Z.	Wire-grip; 28775; 24th November.

Complete Specifications filed after Provisionals.

LIST of complete specifications filed after provisional specifications from the 12th to the 25th November, 1910, inclusive:—

No. 27303.—T. H. Nelson and J. R. Hart, window-sash lock.

No. 27337.—Ridd Milking Machine Company, Limited, milking-machine pulsator. (A. Ridd.)

No. 27356.—W. H. Grey and A. Duthoit, boot and shoe.

No. 27373.—E. Foster, insulation-attaching composition.

No. 27402.—A. Gardner, tramway-track-cleaning appliance.

No. 27461.—G. Massey, sheep-shearing machine.

No. 27661.—E. Price, wire-tightener pawl.

No. 27880.—W. P. S. Macgregor, dropper and spreader for wire-netting fences.

Notice of Acceptance of Complete Specifications.

Patent Office,
Wellington, 22nd November, 1910.

COMPLETE specifications relating to the undermentioned applications for Letters Patent have been accepted, and are open to public inspection at this office. Any person may, at any time within two months from the date of this *Gazette*, give me notice in writing of opposition to the grant of any such patent. Such notice must set forth the particular grounds of objection, and be in duplicate. A fee of 10s. is payable thereon.

The copies of claims and extracts from the specifications and drawings are merely intended to give some further indication of the invention than is disclosed in the title, and the complete specifications and drawings should be referred to for a description of the invention.

No. 27220.—28th January, 1910.—JAMES BAIN, of Waipahi, Otago, New Zealand, Farmer. Improved method of attaching draught to adjustable horse-hoes.*

Claims.—(1.) In horse-hoes of the class described, a draught-attachment coupled directly or indirectly to a slidable block or bracket adjusting the side bars of the horse-hoe, as described. (2.) An improved method of attaching draught to adjustable horse-hoes, consisting of a rigid bracket, a lever pivotally connected thereto, a connecting rod or chain leading to a draught block or shackle, a connecting rod or chain coupling the said lever and the slidable block, all substantially as described, and as illustrated in the accompanying drawings. (3.) An improved method of attaching draught to adjustable horse-hoes, consisting of a rigid bracket, a lever pivotally connected thereto, a connecting rod or chain leading to a draught block or shackle, a connecting rod or chain coupling the said lever and the slidable block, in combination with guide-handles pivotally connected to each other and to the side bars of the horse-hoe, substantially as described, and as illustrated. (4.) In an improved method of attaching draught to adjustable horse-hoes, the combination and arrangement of parts, all substantially as and for the purpose set forth, and as illustrated.

(Specification, 3s. 3d.)

No. 27222.—1st February, 1910.—EDWARD NORMAN LANCHESTER, of Mill Road, Otaki, New Zealand, Painter. Binding paint-brushes.*

Claims.—(1.) The improved binding as and for the purposes described, and illustrated in the drawings. (2.) A binding made of leather, having eyelets such as A, and lacing such as B, substantially as and for the purposes described, and illustrated in the drawings.

(Specification, 1s. 3d.)

No. 27239.—3rd February, 1910.—UNITED SHOE MACHINERY COMPANY, of Paterson, New Jersey, United States of America, a corporation duly organized under the laws of said State of New Jersey, carrying on business as Shoe-machinery Manufacturers, and having a place of business at 205 Lincoln Street, Boston, Massachusetts aforesaid (assignees of Frederick Henry Perry, of Beverly, Massachusetts, aforesaid, Inventor). Improvements in or relating to edge-trimming or shoe-sole-finishing machines.*

Claims.—(1.) For a sole-edge-trimming machine, the combination of means for trimming, randing, or both trimming and randing, the edge of a shoe-sole, comprising a knife that by movement along the edge of the sole cuts the said edge to the breast of the heel, and a second knife arranged to cut into the edge of the sole in line with the heel-breast with or without gauging-means to determine the position of the shoe in relation to said knives. . . . (4.) For a sole-edge-trimming machine, the combination with a knife that by rapid to-and-fro movements trims along the edge of the shoe-sole, of a second knife arranged for rapid to-and-fro movements to cut transversely into the sole-edge to sever the material trimmed from the sole by the first knife. . . . (8.) In a sole-edge-trimming machine, a knife, arc-shaped along its greatest dimension, having the outer part of its cross-sectional outline like the foreshortened outline of its desired cutting-edge, and ground to an edge along a tangent to its inner curve.

[NOTE.—Here follow three other claims.]

(Specification, 13s.)

No. 27303.—15th February, 1910.—THOMAS HORATIO NELSON, of Wellington, New Zealand, Book-keeper, and JULIAN REGINALD HART, of Ashburton, Canterbury, New Zealand, Farmer. An improved window-sash lock.*

Claims.—(1.) Means for locking window-sashes, consisting of a spring-cushioned sliding bolt mounted on one sash having a cross-pin on its outer end, and a pair of arms vertically arranged on the other sash between which the spring-bolt is adapted to pass when the sashes are closed, such arms being formed on their outer edges with ratchet teeth with which the cross-piece on the spring-bolt engages, substantially as specified.

[NOTE.—Here follow two other claims.]

(Specification, 3s. 9d.)

No. 27492.—1st May, 1909.†—ERNEST NIER and JOHANN MICHAEL MAX EHMER, both of Beierfeld, Saxony, Germany, Merchants. Improvements in and relating to talking-machines.

Claims.—(1.) A talking-machine having the motor arranged within the sound-conduit, substantially as described. (2.) A talking-machine having a tapering or wedge-shaped casing forming a conduit for the sound-waves, and the motor arranged within said conduit, substantially as described. (3.) A talking-machine having a casing furnished with one or more sounding-boards to form a gradually widening sound-conduit, and the motor arranged within said conduit, substantially as described. (4.) A talking-machine, substantially as described and illustrated in Figs. 1, 2, 4, 5, 6, 7, 8, or 9 of the drawings.

(Specification, 9s. 3d.)

No. 27661.—29th April, 1910.—ERNEST PRICE, of Dunedin, New Zealand, Accountant. Improvements in pawls for wire-tighteners.*

Claims.—(1.) In pawls for wire-tighteners of the class described, a pawl having its ends bent at different angles, substantially as described and as illustrated. (2.) In pawls for wire-tighteners, a pawl having approximately square shoulders at the bend thereof, substantially as described. (3.) The general construction forming my improvements in pawls for wire-tighteners, substantially as set forth and as described, and as illustrated in the drawings.

(Specification, 3s.)

No. 27806.—31st May, 1910.—ERNEST GRAHAM GODFREE, of Service Street, Hampton, near Melbourne, Victoria, Australia, Clerk. Electro-mechanical selector.

Extract from Specification.—The transmitting part of the instrument is mechanically interlocked with the receiving instrument in such a manner as to prevent any interruption whilst the line is engaged. The transmitter consists, preferably, of a clockwork or other motive mechanism so constructed that when released it operates suitable electrical contacts, which in turn send electrical impulses through the circuit. The number of impulses sent depends on the insertion of a suitable plug or stop in any one of a number of holes provided for the purpose around the circumference of a dial. The receiving part of the instrument comprises an electro-magnet and armature arranged to operate certain electrical contact-making devices, a ratchet-wheel having one shallow tooth, a rubbing spring-contact, a detent retaining-pawl, and a swinging or fly contact, a local circuit consisting of the contact on the pawl of the armature, the spring-contact, a battery, and a bell.

[NOTE.—The above extract from the specification is inserted in place of the claims.]

(Specification, 16s.)

No. 27880.—11th June, 1910.—WILLIAM PETER SWAN MACGREGOR, of Dunedin, New Zealand, Farmer. Improved dropper and spreader for wire-netting fences.*

Claims.—(1.) In an improved dropper and spreader for wire-netting fences, the provision of a stick or metal bar, preferably oval-shaped in section, having hooked-shaped tapered slots cut at opposite angles in the said stick or bar forming a cleat for the wire netting, substantially as described and as illustrated. (2.) The general construction forming my improved dropper and spreader for wire-netting fences, substantially as described and as illustrated.

(Specification, 2s. 6d.)

No. 27910.—15th June, 1910.—HUGO LOEWENTHAL, of 745 Calle Tucuman, Buenos Ayres, Argentine Republic. An improved fencing-dropper.

Claims.—(1.) In a fencing-dropper of the kind described, a threaded member adapted to engage the threaded end of the central rod about which the spiral wire is arranged, said threaded member being arranged to hold said spiral in place, and to regulate the tension in same. (2.) A fencing-dropper of the kind hereinbefore described, having the spiral wire held between two cap-shaped ferrules, with their open ends facing, and tapered openings in said open ends for receiving and holding the uppermost and lowermost wires in the fence. (3.) The improved fencing-dropper described or illustrated.

(Specification, 2s.)

No. 27967.—24th June, 1910.—JOHN FREDERICK PEARSON, of Te Kuiti, Auckland, New Zealand, Builder. An improved reinforced-concrete joist.*

Extract from Specification.—According hereto, a joist of H section is made of concrete, the upper flange being stiffened by bracket-trusses monolithic with the joist. The lower flange has a longitudinal reinforcing rod or rods, and the web and upper flange are reinforced with expanded metal. A rebate extends along the edge of the upper flange, so that when the joists are placed alongside each other a recess is provided for a wood fillet to which flooring-boards may be secured, or the recess may be filled with cement.

[NOTE.—The above extract from the specification is inserted in place of the claims.]

(Specification, 1s. 6d.)

No. 28156.—26th July, 1910.—PERCY RICHMOND CLIMIE, of Christchurch, New Zealand, Patent Agent (nominee of the Techno-Chemical Laboratories, Limited, of Broad Street House, New Broad Street, London E.C., England, who are the assignees of Dr. Martin Ekenberg (deceased), late of 231 The Strand, London W.C.). Improvements in and relating to the desiccation of milk and milk-preparations.†

Claims.—(1.) A process for the desiccation of milk or fluid milk-preparations by heat, in which the milk or the like is desiccated by a non-oxidizing gaseous medium composed at least in part of carbon dioxide—e.g., carbon dioxide with or without steam—substantially as and for the purposes described.

[NOTE.—Here follow five other claims.]

(Specification, 6s. 3d.)

No. 28232.—10th August, 1910.—FREDRICK BUNTER CLAPCOTT, of Auckland, New Zealand, Gentleman. Improved gate-latch.

Extract from Specification.—According hereto a plate-bolt is pivoted in a bracket secured to the gate, which bracket passes directly into a socket in the gate-post or into a bracket attached thereto, the bolt falling by gravity behind a cross-bar and thus effectually locking the gate.

[NOTE.—The above extract from the specification is inserted in place of the claims.]

(Specification, 1s. 9d.)

No. 28337.—27th August, 1910.—CHARLES HENRY WILLIAMS, of Taumarunui, New Zealand, Road Engineer. Improved pad for polishing boots and the like.

Claims.—(1.) A pad for polishing and the like purposes, constructed, arranged, and operating substantially as specified. (2.) A device of the nature indicated, consisting in the combination of the pad, the holder, and the tapes for securing the pad to said holder, substantially as specified and illustrated. (3.) A device of the nature indicated, consisting in the combination of the pad, the holder, tapes for securing the pad to said holder, and the hand-strap, substantially as specified and illustrated.

(Specification, 1s. 6d.)

No. 28452.—8th April, 1910.†—OTTO FRUHLING, of 14 Löwenwall, Brunswick, Germany, Government Engineer. Improved method of and arrangement for removing dredged material from ships' holds, hopper-barges, and the like.

Claim.—(1.) The method of removing dredged material from the hold or holds, hoppers, or the like of vessels, which consists in simultaneously applying to the material deposited in the hold or holds a suction-effort and an automatic lateral discharge of the material previously diluted by water supplied thereto, substantially as and for the purpose described.

[NOTE.—Here follow six other claims.]

(Specification, 7s.)

No. 28627.—25th October, 1910.—FREDERICK HENRY TETLEY, of 625 Harris Street, Sydney, New South Wales, Australia, Refrigerating Engineer. Delivery-valve for refrigerating-compressors.

Claims.—(1.) A delivery-valve for refrigerating-compression cylinders, consisting of a cage with side ports and a valve-seat, a valve-stock with a valve at the bottom end adapted to be seated on the seat within the cage, a hollow top to the valve-stock, an annular flange projecting from the top edge of the hollow top of the valve-stock, a spring within the hollow top, a crown above the spring, and a cap adapted to be screwed down on to the cage-wall and to fit the top of the crown, as described and for the purposes set forth. (2.) The general arrangement, construction, and combination of parts in the delivery-valve for refrigerating-compressors, as described, as illustrated in the drawing, and for the purposes specified.

(Specification, 3s.)

No. 28646.—27th October, 1910.—CECIL GEORGE MCKELLAR, Assoc. Mech. Eng., C.E., of 100 Gloucester Street, Christchurch, New Zealand, Consulting Engineer. Improvements in cycle-fittings.

Extracts from Specification.—According to this invention the slot is formed in the solid fitting with the entrance underneath at the sprocket-wheel end, and leads to a horizontal slot which allows of a movement backwards for the chain-adjust-

ment, which movement is easily performed by the cams that are at present known. . . . According to this invention a lug is provided integral with the front fitting to receive mud-guard-stays, and thus leave the axle free to be slipped out of slot on simply loosening the nuts.

[NOTE.—The above extracts from the specification are inserted in place of the claims.]

(Specification, 2s. 9d.)

No. 28664.—17th November, 1909.†—FRANCIS JOHN TOWILL, of 2 Fisher Road, Abbotsbury, Newton Abbot, Devon, England, Engine-fitter. Improvements in cutting or slicing apparatus.

Extract from Specification.—The apparatus consists of an outer casing somewhat similar in type to that used in an ordinary mincing-machine, but provided with a conical bed in which turns a cutter made in the form of a cone provided with one, two, or more knives, and slots opening to the interior to permit the slices to be ejected from the open mouth of the cone. The inner side of the casing is provided with a rib or projecting edge which just misses the knives as the cone is turned, and the thickness of the slices is determined by the projection of the knife-edge over the surface of the cone in front. The thickness of the slices may be adjustable over a large range by making the cone in two parts, one portion sliding longitudinally within the other and adjusted by a screw or like device.

[NOTE.—The above extract from the specification is inserted in place of the claims.]

(Specification, 4s. 6d.)

No. 28666.—2nd November, 1910.—GEORGE GALLOP, of Carlisle Street, Rose Bay, near Sydney, New South Wales, Australia, Builder. Improvements in closet seats and pans.

Extract from Specification.—Seats for closets are curved concavely from front to back except at the front edge, where they are curved convexly, and they are inclined downward rearwardly.

[NOTE.—The above extract from the specification is inserted in place of the claims.]

(Specification, 3s.)

No. 28667.—29th October, 1910.—DANIEL TAYLOR, of 60 Cannongate Street, Dunedin, New Zealand, Bookbinder. Improvements in bookbinding.

Claims.—(1.) In binding, single sheets rounded and held in a press, bent one way so as to fan the leaves, which are glued, then immediately bent the other way and again glued, the sheets near each end being strengthened, the book backed, lined, scrimmed, and finished with covers, &c., in the usual manner of various bindings, all substantially as shown in the drawing, and as described and as explained. (2.) In binding, single sheets fanned by either rounding or bending or laying over, glued with flexible glue, backed and finished as desired, all substantially as set forth.

(Specification, 2s. 6d.)

No. 28672.—3rd November, 1910.—WILLIAM LAURENCE JOHNSTONE, Dairy Factory Manager, and ARTHUR HOSKING, Mechanical Engineer, both of Palmerston North, New Zealand. Improved pasteurizer.

Extract from Specification.—A plurality of fine jets or streams of steam admitted directly into and opposing the flow of a body of milk passing through a container.

[NOTE.—The above extract from the specification is inserted in place of the claims.]

(Specification, 3s.)

No. 28679.—6th November, 1909.†—THOMAS GASKELL ALLEN, of 106 Victoria Street, Westminster, in the County of London, England, Engineer. Improvements in or relating to acetylene-gas generators.

Extract from Specification.—According to this invention I provide for the generating-chambers of acetylene-generators of the automatic type a water-feeding aperture or inlet, consisting of two surfaces of such dimensions as to form an

extended inlet adapted to be brought and held so tightly together that the water can only seep or ooze into the carbide-chamber under a pressure of water-head in excess of the pressure which it is necessary to maintain in the generator for proper combustion at the burner; the tightly fitting surfaces permitting throughout the extended narrow annular or linear inlet a sufficient volume of water to pass between them for the purpose of generation, but in such slowly moving and minute quantities at any given point that an immediate and exact regulation of the water-feed is effected by the slightest tendency to back pressure, without any appreciable disturbance being caused in the equilibrium between the opposing internal and external pressures. Evenness of generation and a uniform pressure at the burner are thereby insured.

[NOTE.—The above extract from the specification is inserted in place of the claims.]

(Specification, 7s. 3d.)

No. 28683.—5th November, 1910.—WILLIAM JOHN PAUL, Engineer, JOHN HENRY LYNCH, Silk-throwster, and JAMES GULICK MEYER, Lawyer, all residing at Matteawan, Duchess County, New York, United States of America. Improvements in furnaces.

Extract from Specification.—The invention consists in directing the products of primary combustion from the furnace through a series of continuous, unbroken, unobstructed tubes, flues, or like passages, preferably arranged longitudinally, which tubes or flues receive the products of primary combustion and confine them within their area throughout their entire length, bringing the gases into intimate relation and maintaining such intimate relation throughout the entire length and area of the tubes or flues; the said gases so confined are ignited by the heat from the furnace, the combustion produced thereby heats the tubes or flues to a high temperature, thereby producing combustion within the area of the said tubes or flues and throughout their entire length, highly heating the gases from the furnace passing into them, burning the same, and thereby consuming the inflammable gases.

[NOTE.—The above extract from the specification is inserted in place of the claims.]

(Specification, 6s. 6d.)

No. 28685.—5th November, 1910.—ALBERT D. CARDINET, of Oakland, California, United States of America, Gentleman. Fountain brushes.

Claim.—(1.) A fountain brush comprising a tubular handle, having a projection at one end containing a liquid passageway, a brush removably mounted on said projection, a longitudinally movable, rotatable rod mounted in said tube and adapted to control the flow of liquid through the end of the tube, and means mounted on the outer end of said rod for controlling passage of liquid from the tube.

[NOTE.—Here follow seven other claims.]

(Specification, 6s. 6d.)

No. 28695.—7th November, 1910.—WILLIAM GEORGE MCGEE, of Nelson, New Zealand, Engineer. Improved clothes-line apparatus.

Claims.—(1.) For the purpose indicated, the combination of a clothes-line fixed at its ends to opposing posts, an independent rope in the middle thereof passing over a guide-sheave and operated by a winch, substantially as specified. (2.) In apparatus of the nature indicated, a plurality of clothes-lines passing at their ends to fixed posts and, connected at their middle, or passing through a ring thereat, and a winch operating a rope whereby said lines are simultaneously raised, substantially as specified and illustrated.

(Specification, 2s.)

No. 28701.—8th November, 1910.—JAMES CHARLES PARKE KIRKWOOD, of 88 Willis Street, Wellington, New Zealand, Engineer. An improved electric iron.

Extract from Specification.—According hereto the portion forming the base of the iron is recessed to a desired depth, and into this recess a suitable electrical heating element or resistance is placed. The heating element is suitably insu-

lated from the metal portion of the iron. A metal plate fitting within the said recess bears upon and retains the heating element in position. A cover-plate fits over the whole and bears upon the base, the different parts being suitably bolted or screwed together.

[NOTE.—The above extract from the specification is inserted in place of the claims.]

(Specification, 2s. 9d.)

No. 28706.—1st December, 1909.†—WILHELM FREDERICK FLOESSELL, formerly of 191 Victoria Street, Darlinghurst, near Sydney, New South Wales, Australia, but now of "Enuuk" Milner Crescent, Woolstonecraft, near Sydney aforesaid, Civil Engineer. Improved calendar and advertising-block.

Extract from Specification.—According to my invention the block is made up of twelve sheets representing the calendar months, each having a minimum of thirty-one spaces for the days. Each daily space has its respective number or date printed on a comparatively small scale, and across or over same may be printed an advertisement or portion thereof, preferably in a different coloured ink. Each of the spaces or rows of spaces is then covered with a second sheet, or strips of paper or the like, bearing the corresponding date or dates on a larger scale, and is or are perforated so as to be readily detached. As the days of the month expire the corresponding space on the upper sheet or strip is torn off leaving the advertising or other matter on the sheet underneath exposed, the top or bottom number on a large scale always representing the existing date according as the calendar is arranged.

[NOTE.—The above extract from the specification is inserted in place of the claims.]

(Specification, 2s. 9d.)

No. 28736.—15th November, 1910.—ROBERT SEYMOUR BENSON, of "Riverside," Middleton, St. George, Durham, England, Engineer, and HEAD, WRIGHTSON, AND COMPANY, LIMITED, of Teesdale Ironworks, Thornaby-on-Tees, York, England, Engineers and Ironfounders. A new or improved method of and means for washing coal or separating certain substances of different specific gravities.

Claims.—(1.) An apparatus for washing coal or separating substances of different specific gravities, comprising an inclined trough having a suitable reciprocating conveying motion—preferably the Marcus motion—imparted to it, a deck forming a tunnel extending along the upper part of the trough and subjected to said conveying motion, and a nozzle for water arranged above the upper end of the said deck, the arrangement being such that the material to be treated is thoroughly wetted and washed along the upper surface of the deck down on to the trough; the lighter portions are carried down over the tail of the trough, whilst the heavier portions are driven along the tunnel and discharged at the upper end thereof. (2.) The general arrangement and combination of parts constituting the improved apparatus for separating lighter from heavier substances, such as coal and its refuse, substantially as described, and illustrated in the drawings.

(Specification, 5s. 6d.)

No. 28746.—17th November, 1910.—ARTHUR MOAD, Jun., of Spring Hill, Engineer, and ARCHIBALD JAMES JERVIE, of Petersham, Engineer, both in the State of New South Wales, Australia. An improved potato-dropper.

Claims.—(1.) An improved potato-dropper, consisting essentially of a hopper provided with a feed-shute, and a hollow wheel provided with peripheral spring-grippers, and an annular aperture in the side opposing the said hopper, the said wheel being mounted upon a horizontal shaft traversing the said hopper, and actuated by gearing from the ground-wheel or other rotating part of the implement to which the dropper is attached, all substantially as described and illustrated.

[NOTE.—Here follow six other claims.]

(Specification, 6s. 3d.)

No. 28747.—17th November, 1910.—MABEL IDA MAY HANLON, of 262 King Street, Newtown, Sydney, New South Wales, Australia, Artist, and WILLIAM ELAND, of 426 King Street, Newtown, aforesaid, Artist. Improvements in sauce-pans.

Claims.—(1.) Improvements in saucepans, consisting of the provision upon the body thereof of an upper and lower external ring each provided with an annular groove, and an attachable handle consisting of mutually pivoted members provided with oppositely turned lugs designed to engage with the said grooves, all substantially as described and illustrated and for the purpose set forth.

[NOTE.—Here follow two other claims.]

(Specification, 3s. 9d.)

No. 28749.—14th December, 1909.†—JOHN CHARLES WILLIAM STANLEY, of 246 Riverside Avenue, Santa Cruz, California, Chemical Engineer. Improvement in the manufacture of wood-pulp.

Claims.—(1.) The process of making wood-pulp, which includes soaking the wood in a hot caustic-soda solution, subsequently boiling the wood in the solution under pressure in a closed vessel, cooling the wood-product in the liquor in which it has been boiled, and subsequently separating the wood-product from the liquor. (2.) The process of manufacturing wood-pulp, which includes soaking the wood in a hot caustic-soda solution, straining the liquor from the wood into a digester, raising the temperature to boiling-point, adding the previously soaked wood, and cooking in the digester at a pressure until the wood becomes thoroughly disintegrated, and allowing the wood-product to be cooled while in the liquor in which it was boiled.

[NOTE.—Here follow six other claims.]

(Specification, 7s.)

No. 28755.—16th November, 1910.—GEORGE PERCIVAL DYER, of Great King Street, Dunedin, New Zealand, Sanitary Engineer and Plumber. Improvements in acetylene-gas generators.

Claims.—(1.) In acetylene-gas generators, the gas-holders furnished with a guide-tube for relieving the holder of any excess of gas, combined with a connection from the generators to the holder consisting of a means of pressing the rubber-tipped nozzle against the tube to the holder, and the automatic means of bringing other generators into operation, all substantially as described and as explained, and as illustrated in the drawing. (2.) In combination, generators having floats under them to facilitate withdrawing, with a tubular guide for conveying away the excess of gas, and the improved means of forming a connection between the generator and the holder, and the subsequent bringing into action fresh generators automatically, all substantially as set forth.

(Specification, 2s. 9d.)

Copies of drawings may be obtained at the uniform price of 1s. each. In exceptional cases this price may be increased at the discretion of the Office.

An asterisk (*) denotes the complete specification of an invention for which a provisional specification has been already lodged. A dagger (†) denotes a prior date under the International and Intercolonial Arrangements.

NOTE.—The cost of copying the specification has been inserted after the notice of each application. An order for a copy or copies should be accompanied by a post-office order or postal note for the cost of copying.

The date of acceptance of each application is given after the number.

Extracts from the drawings accompanying the foregoing complete specifications appear at the end of this Gazette.

J. C. LEWIS,
Registrar.

Provisional Specifications accepted.

Patent Office,
Wellington, 25th November, 1910.

A PPLICATIONS for Letters Patent, with provisional specifications, have been accepted as under:—

- No. 28927.—A. Campbell, T. H. Gillman, and H. D. F. James, fibre-production.
 No. 28529.—C. Y. Dally, ice-cream machine.
 No. 28567.—A. McLeod, lamp.
 No. 28582.—A. Byford, wire-netting fence.
 No. 28587.—T. Robson, boot-and-shoe fastening.
 No. 28588.—A. Cameron and J. Fletcher, casement-fitting.
 No. 28589.—G. Nicoll, can-lid strainer.
 No. 28594.—A. T. Crosher, electric-wire connection to lamp-holder.
 No. 28611.—A. E. Macindoe, hot-and-cold-water tap.
 No. 28619.—F. Andrews, hat-fastener.
 No. 28620.—O. A. Bourbean, combined envelope and letter-paper.
 No. 28624.—P. O. Spry, fire-alarm contact-breaker.
 No. 28629.—J. W. Rooney, rotary engine.
 No. 28633.—J. C. P. Kirkwood, electrical cooking-apparatus.
 No. 28635.—H. Metcalfe, scaffold-bracket attaching to walls.
 No. 28636.—E. C. Reynolds, bathroom-occupation indicator.
 No. 28637.—A. J. Park, cooking-utensil.
 No. 28645.—D. Reid, jun., aviation-machine propulsion.
 No. 28649.—T. H. Dixon, tug, buckle, and breeching-connection.
 No. 28650.—A. H. Hansen, pasteurizer.
 No. 28651.—J. Y. McL. Comrie, seed and manure sower.
 No. 28657.—L. G. Grace, power-device.
 No. 28658.—R. Burn, mail-bag, &c., seal.
 No. 28662.—J. Dawson, suspension bridge.
 No. 28665.—W. H. Carter, jun., finishing the appearance of water-colour paintings, &c.
 No. 28668.—W. Gower, aperture fore-sight.
 No. 28669.—C. Reimann, door-check and alarm.
 No. 28670.—C. J. Sanderson, sash raising or lowering.
 No. 28674.—G. Cruickshank, rabbit-trap chain.
 No. 28678.—A. Mutch, attaching horse to farm implements.
 No. 28680.—W. B. Cameron and T. Yardley, milking-machine.
 No. 28684.—F. R. McLean, internal-combustion turbine.
 No. 28686.—E. Kofoed, telephonic conversation indicator.
 No. 28687.—T. H. Tidd, subcoiler.
 No. 28689.—W. P. Nolan, railway-ticket dater.
 No. 28690.—S. J. Small and H. Kennedy, milk-cooler.
 No. 28691.—R. T. Stewart, auriferous-material treatment.
 No. 28694.—J. C. P. Kirkwood, regulating the temperature of electrical heating and cooking apparatus.
 No. 28696.—B. L. Sommerfeld, cork-remover.
 No. 28707.—United Shoe Machinery Company, fastener-inserting machine. (L. A. Casgrain.)
 No. 28708.—United Shoe Machinery Company, heeling-machine. (A. E. Jerram, J. Gouldbourn, and A. Bates.)
 No. 28709.—United Shoe Machinery Company, pulling-over machine. (O. Ashton.)
 No. 28710.—United Shoe Machinery Company, fastener-inserting machine. (G. Goddu.)
 No. 28711.—United Shoe Machinery Company, work-support. (L. A. Casgrain.)
 No. 28722.—J. Greenslade, threshing-machine suction-fan.

[NOTE.—Provisional specifications cannot be inspected, or their contents made known by this office in any way, until the complete specifications in connection therewith have been accepted.]

Letters Patent sealed.

LIST of Letters Patent sealed from the 9th to the 17th November, 1910, inclusive:—

- No. 25246.—J. Wilson, lever-winch.
 No. 26312.—The Sub Target Company, Limited, apparatus for rifle-gunnery practice. (F. Mitchell.)
 No. 26327.—E. P. Brady and J. F. Brady, jun., turbine.
 No. 26349.—T. Brown, printing upon bags. (J. Troup.)
 No. 26355.—R. Dunne and A. J. Park, bevelling-attachment for mitre-box.
 No. 26367.—W. Miller, crucible furnace.
 No. 26393.—T. N. Fletcher, miniature-rifle-shooting target.
 No. 26443.—United Shoe Machinery Company, press. (I. C. Buckminster.)

- No. 26599.—United Shoe Machinery Company, boot and shoe making. (R. F. McFeely.)
 No. 26601.—United Shoe Machinery Company, heel-nailing machine. (H. Hall.)
 No. 26712.—J. Howard, multiple-wire strainer.
 No. 26872.—H. Mander, swingletree, &c., hook.
 No. 26924.—T. E. Clark, building-block.
 No. 27083.—G. W. Shailer, jug-lid.
 No. 27150.—W. B. Chisholm, wood-preserving.
 No. 27259.—American Automatic Telephone Company, telephone system. (C. L. Goodrum.)
 No. 27302.—E. Armstrong, file, &c.
 No. 27328.—W. Hoyland, show-case metal-clip system.
 No. 27681.—G. Leist, meat-slicing machine. (The Schneide-maschinen Fabrik Graff and Stein—F. Graff.)
 No. 27737.—T. C. Donnelly, sluice-box.
 No. 27917.—H. Pearce and W. Barratt, liquid-aerating.
 No. 28038.—E. Falkiner and P. Boll, shearing or clipping machine.
 No. 28081.—Hutchinson's Scales Company, Limited, scales. (G. Hutchinson.)
 No. 28114.—A. G. Kent-Johnston, posters, &c., displaying method.

Letters Patent on which Fees have been paid.

[NOTE.—The dates are those of the payments.]

SECOND-TERM FEES.

- N**O. 21648.—M. Juriss, securing wearing-surface to boot-sole. 16th November.
 No. 22061.—E. B. Killen, tire. 15th November.
 No. 22071.—S. G. Roseman and J. Lock, brush and broom making. 15th November.
 No. 22072.—T. R. Christie, drainage-inlet. 14th November.
 No. 22079.—E. Shadgett, banana food. 17th November.
 No. 22114.—New Zealand Hemp Process and By-products Company, Limited, preparing flax-waste as cattle-food. (W. G. Richardson.) 22nd November.
 No. 22155.—United Shoe Machinery Company, boot-assembling machine. (O. Ashton.) 23rd November.
 No. 22156.—United Shoe Machinery Company, loading boot-heels. (J. Gouldbourn.) 23rd November.
 No. 22165.—Lamson Store Service Company, Limited, cash and parcel carrier. (E. C. Phillips.) 23rd November.
 No. 22178.—Linotype and Machinery, Limited, linotype machine. (W. E. Hughes—J. Mayer and C. A. Albrecht.) 15th November.
 No. 22212.—T. R. Christie, skylight. 14th November.
 No. 22222.—United Shoe Machinery Company, fastener-inserting machine. (A. Bates and H. P. Gamble.) 23rd November.
 No. 22790.—The Machine Gas, Limited, carburetter. (F. J. Cox.) 23rd November.

THIRD-TERM FEES.

- No. 17315.—United Shoe Machinery Company, channel-flap-laying machine. (J. B. Hadaway.) 23rd November.
 No. 22320.—Martin Ekenberg's Aktiebolag, concentrating and evaporating liquids. (M. Ekenberg.) 24th November.
 No. 17380.—United Shoe Machinery Company, loose-nailing machine. (G. Goddu.) 23rd November.

Applications for Letters Patent abandoned.

LIST of applications, with which provisional specifications only have been filed, abandoned (i.e., complete specifications not lodged) from the 12th to the 25th November, 1910, inclusive:—

- No. 26895.—J. Brown, tar-rubber composition.
 No. 27145.—J. B. MacEwan and Co., Limited, claw for milking-apparatus. (A. B. Robertson.)
 No. 27159.—L. Tubman, shooting-decoy supporting-frame.
 No. 27160.—G. H. Winders, hat-fastener.
 No. 27162.—R. F. Moore, reinforced-concrete structure.
 No. 27163.—A. I. Jones, flax-dressing machine.
 No. 27166.—L. G. Grace, pump and syphon apparatus.
 No. 27169.—E. C. Bank, earth-scoop.
 No. 27171.—A. C. Death, electric-induction coil.
 No. 27172.—R. McNaughton, axle-cap.
 No. 27173.—O. Peez and K. Joosten, refrigerator.
 No. 27175.—Chipman Limited, lock-nut. (Grip Nut Company—D. O. Ward.)
 No. 27178.—G. Broom, bed-rest.
 No. 27181.—W. T. Howse, motive power.
 No. 27186.—H. M. Clark, ice-chest.

- No. 27187.—R. J. Hobbs, mixing, grinding, and drying manures, &c.
 No. 27190.—D. Brigham, preventing hames slipping off horse-collar.
 No. 27191.—A. Budd, hat-ventilation.
 No. 26192.—W. Lewis, acetylene-generator.
 No. 27194.—S. Roche, rheumatism, &c., cure.
 No. 27197.—W. F. Lietz, dry closet.
 No. 27206.—S. C. Parlour, flax-catching machine,

Applications for Letters Patent void.

- A** PPLICATIONS for Letters Patent, with which complete specifications have been lodged, void owing to non-acceptance of such complete specifications, from the 12th to the 25th November, 1910, inclusive:—
 No. 26421.—J. T. Hooper and W. H. Hooper, bicycle-propeller.
 No. 26433.—J. Brown, tire cover and cushion.
 No. 26437.—F. S. Cooze, ventilator.

Application for Letters Patent lapsed.

- A** PPLICATION for Letters Patent lapsed, owing to Letters Patent not being sealed, from the 12th to the 26th November, 1910, inclusive:—
 No. 25935.—J. E. Ephraim, earth-closet.

Letters Patent void.

LIST of Letters Patent void through non-payment of renewal fees, and through expiry of term of fourteen years, from the 12th to the 26th November, 1910, inclusive:—

THROUGH NON-PAYMENT OF SECOND-TERM FEES.

- No. 21633.—E. R. Godward, gas-burner support.
 No. 21640.—W. H. Hammond, water-tube steam-boiler.
 No. 21642.—J. Fergusson, filter-press plate. (H. R. Edmands and S. F. Gidney.)
 No. 21643.—J. F. Linke, disc plough.
 No. 21659.—D. Hayward, curry-comb and brush.
 No. 21660.—A. H. and D. J. Byron and R. R. Richmond, threshing-machine.
 No. 21661.—Barber's Interchanging Heel Company, Limited, boot-tip fastener. (W. Barber.)
 No. 21662.—Witch Dust Extractor Company, Limited, and W. Griffiths, vacuum dust-remover.
 No. 21666.—A. J. Hall, feeding brushes with pigment.
 No. 21669.—S. J. Emery, collar and harness.
 No. 21670.—J. D. McLaurin, toaster and grill.
 No. 21671.—E. C. Powell, C. MacArthur, and F. Smith, rotary-engine.
 No. 21674.—G. S. Morison, brake-mechanism.
 No. 21675.—F. H. Maxwell, crushing-battery.
 No. 21677.—H. Doyle, vacuum cleaner.
 No. 21678.—W. T. Wingfield and C. W. Hermann, stamp-pad.
 No. 21679.—J. A. Sayward, loading and unloading lumber.
 No. 21680.—W. F. Darling and S. T. Chancellor, levelling-staff.
 No. 21681.—G. Turner, tomato-forcing house.
 No. 21685.—F. Henry, dressing flax.
 No. 21689.—W. Dall, bias-adjustment for bowls.
 No. 21709.—J. P. Maloney and H. Chisholm, station or street indicator.
 No. 22521.—L., H., and L. Mote, extension-ladder.
 No. 22327.—J. Von Bertouch, land-clearing machine.

THROUGH NON-PAYMENT OF THIRD-TERM FEES.

- No. 16794.—W. Monteath, flushing-cistern.
 No. 16797.—H. Jones, amalgamator.
 No. 16813.—C. C. Kidd and P. Kilkelly, ditch-plough.
 No. 16828.—Singer Manufacturing Company, sewing-machine. (P. Diehl and M. Hemleb.)
 No. 16859.—H. J. Gentles, wash-up mop.
 No. 16861.—Reeves Patent Filters Company, Limited, filter. (W. Reeves.)

THROUGH EXPIRY OF TERM.

- No. 6545.—Ballinger Bros., and Fowler Bros., and A. and T. Burt, Limited, skylight. (J. W. Wade.)
 No. 9081.—L. Lawson, mail-bag fastener.

Design expired.

THE copyright in the following design has expired:—
 No. 267.—H. J. Suckling. Class 1.

Applications for Trade Marks filed.

LIST of applications for registration of Trade Marks filed from the 12th to the 26th November, 1910, inclusive:—

- No. 9151.—12th November, 1910.—E. E. Leaning, Auckland, N.Z. Class 38.
 Nos. 9152 and 9153.—14th November, 1910.—J. S. Kirkpatrick and W. H. Barclay, "Kirkpatrick and Barclay," Dunedin, N.Z. Classes 27 and 38.
 No. 9154.—14th November, 1910.—Ellis and Manton, Wellington, N.Z. Class 47.
 Nos. 9155, 9156, and 9157.—14th November, 1910.—Joosten and Murie, Wellington, N.Z. Class 10.
 No. 9158.—15th November, 1910.—W. L. Oldman, "Grant Bros.," Christchurch, N.Z. Class 22.
 No. 9159.—15th November, 1910.—Barnett, Samuel, and Sons, Limited, London, Eng. Class 8.
 No. 9160.—17th November, 1910.—Bryant and Co., Limited, Napier, N.Z. Class 42.
 No. 9161.—17th November, 1910.—Chemische Fabrik, Dr. R. Scheuble, and Dr. A. Hochstetter. Class 3.
 No. 9162.—18th November, 1910.—Hancock and Co. (N.Z.), Limited, Auckland, N.Z. Class 43.
 No. 9163.—19th November, 1910.—G. W. Darvall, Wellington, N.Z. Class 50.
 No. 9164.—21st November, 1910.—Jones Bros. and Co., Wolverhampton, Limited, Wolverhampton, Eng. Class 13.
 Nos. 9165, 9166, and 9167.—21st November, 1910.—Rover Company, Limited, Coventry, Eng. Classes 6, 13, and 22.
 No. 9168.—21st November, 1910.—Pompeian Manufacturing Company, Cleveland, U.S.A. Class 48.
 No. 9169.—21st November, 1910.—Carborundum Company, Niagara Falls, U.S.A. Class 50.
 No. 9170.—21st November, 1910.—E. C. Halsey, Christchurch, N.Z. Class 42.
 No. 9171.—23rd November, 1910.—A. H. Grubner, Pongaroa, N.Z. Class 42.
 No. 9172.—23rd November, 1910.—W. J. Bullock, Dunedin, N.Z. Class 2.
 No. 9173.—23rd November, 1910.—W. A. Anderson, Vancouver, B.C. Class 42.
 No. 9174.—23rd November, 1910.—Lea and Perrins, Worcester, Eng. Class 42.
 Nos. 9175 and 9176.—23rd November, 1910.—Two Steeples, Limited, Wigston Magna, Eng. Class 38.
 No. 9177.—23rd November, 1910.—A. and T. Burt, Limited, Dunedin and elsewhere, N.Z. Class 40.
 Nos. 9178, 9179, 9180, 9181, and 9182.—23rd November, 1910.—Baldwins Limited, Swansea, Wales. Class 5.
 No. 9183.—24th November, 1910.—National Mortgage and Agency Company of New Zealand, Limited, Invercargill, N.Z. Class 2.
 No. 9184.—24th November, 1910.—J. C. Arthur, Opatiki, N.Z. Class 39.
 No. 9185.—24th November, 1910.—Bryant and May, and Bell and Co., Limited, Wellington, N.Z. Class 47.

Applications for Registration of Trade Marks.

Patent Office,

Wellington, 25th November, 1910.

A PPLICATIONS for registration of the following Trade Marks have been received. Notice of opposition to the registration of any of these applications may be lodged at this office within two months of the date of this *Gazette*. Such notice must be in duplicate, and accompanied by a fee of £1.

No. of application: 8550.

Date: 9th February, 1910.

TRADE MARK.



The essential particulars of this trade mark are as follow— the device and the word "Beaver"; and any right to the exclusive use of the added matter is disclaimed.

NAME.

R. ROBERTSON AND Co., of 25 Alexander Street, Vancouver, British Columbia, in the Dominion of Canada, Merchants.

No. of class : 42.

Description of goods : Onions for export only.

(By consent.)

No. of application : 8834.

Date : 23rd June 1910.

TRADE MARK.

Reflex

NAME.

THE C. A. EDGARTON MANUFACTURING COMPANY, being a corporation organized under the laws of Massachusetts, and doing business at Leominster Road, Shirley, Massachusetts, United States of America, Manufacturers.

No. of class : 38.

Description of goods : Suspenders and garters.

No. of application : 9081.

Date : 11th October, 1910.

TRADE MARK.



The essential particular of the trade mark is the device; and applicants disclaim any right to the exclusive use of the added matter, except in so far as it consists of their own name.

NAME.

SANDOW LIMITED, whose registered address is at 32a St. James Street, London S.W., England, Merchants.

No. of class : 38.

Description of goods : Corsets.

No. of application : 9082.

Date : 11th October, 1910.

TRADE MARK.

The word

PABCO.

The essential particular of this trade mark is the word "Pabco."

B

NAME.

THE PARAFFINE PAINT COMPANY, a corporation incorporated under the laws of California, United States of America, of Merchants' Exchange Building, San Francisco, California, aforesaid, Manufacturers of Roofing and Preserving Materials.

No. of class : 17.

Description of goods : Protecting and preserving compositions or substances of a mineral character; waterproof building and roofing materials made of paper and felt, in whole or in part treated therewith; paints, varnishes, paint-compounds, liquid cement, damp-course, pile-covering, and building and insulating papers, containing, saturated, or coated with such mineral substances and asphalt.

No. of application : 9083.

Date : 18th October, 1910.

TRADE MARK.

The word

"Sylwashyne"

The essential particular of the trade mark is the word "Sylwashyne."

NAME.

CHARLES JOHN BADHAM, of 655 Castle Street, Dunedin, in the Dominion of New Zealand, Commercial Traveller.

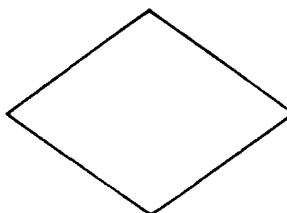
No. of class : 50.

Description of goods : A polish for silverplate, mirrors, glass, tin, &c.

No. of application : 9087.

Date : 13th October, 1910.

TRADE MARK.



LIGHT OF THE AGE

The essential particular of the trade mark is as follows—the distinctive mark consisting of the device of a diamond below which are the words "Light of the Age."

No claim is made to the exclusive use of the word "Light."

NAME.

R. W. CAMERON AND Co., of 16 Spring Street, Sydney, in the State of New South Wales, Commonwealth of Australia, and elsewhere, Merchants.

No. of class : 47.

Description of goods : Illuminating, heating, and lubricating oils.

No. of application: 9095.

Date: 15th October, 1910.

TRADE MARK.



ZEBRA.

NAME.

RECKITTS (OVER SEA), LIMITED, Post-Office Box 422, Wellington, in the Dominion of New Zealand, Manufacturers of Blue, Starch, Blacklead, Metal-polish, Boot-polish.

No. of class: 47.

Description of goods: Starch, blue, and other preparations for laundry purposes—such as washing-powders; candles, detergents, illuminating and lubricating oils, heating oils, matches, and other articles in this class.

No. of application: 9107.

Date: 19th October, 1910.

TRADE MARK.



CATHEDRAL BRAND.

The essential particulars of this trade mark are the pictorial representation of a cathedral and the word "Cathedral"; and any right to the exclusive use of the word "Brand" is disclaimed.

NAME.

HENRY FRANCIS STEVENS, of 140 Worcester Street, Christchurch, in the Dominion of New Zealand, Wholesale Druggist.

No. of class: 3.

Description of goods: Chemicals for human beings (or included in this class).

No. of application: 9134.

Date: 31st October, 1910.

TRADE MARK.

The word

KWIKPLAYT.

The essential particular of this trade mark is the invented word "Kwikplayt."

NAME.

THE MOTOR IMPORT COMPANY, LIMITED, of Christchurch, in the Dominion of New Zealand, Importers.

No. of class: 1.

Description of goods: A silver-plating preparation.

No. of application: 9135.

Date: 31st October, 1910.

TRADE MARK.



The essential particulars of this trade mark are the distinctive label and the words "Union Jack"; and the applicants disclaim any right to the exclusive use of the added matter, except in so far as it consists of their name.

Any right to the device of a Union-jack is disclaimed.

NAME.

GARTON, HILL, AND Co., of Southampton Wharf, Battersea S.W., England.

No. of class: 42.

Description of goods: Corn-syrup, glucose, and invert sugar.

TRADE MARK.

The word

WASHALINE.

The essential particular of this trade mark is the word "Washaline."

NAME.

WILLIAM BAIN, of 35 Forth Street, Dunedin, in the Dominion of New Zealand, Labourer, and ROBERT BAIN, of 444 King Street, Dunedin aforesaid, Coal-merchant.

No. of class: 47.

Description of goods: Washing-fluids and detergents.

No. of application : 9145.
Date : 4th November, 1910.

TRADE MARK.



The essential particulars of this trade mark are the device of a cross and the word "Red"; and any right to the exclusive use of the added matter is disclaimed.

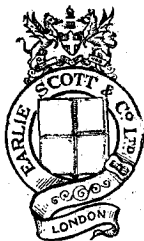
NAME.

WILSON, McNEILL AND Co., of Wellington, in the Dominion of New Zealand.

No. of class : 42.
Description of goods : Tea.

No. of application : 9146.
Date : 4th November, 1910.

TRADE MARK.



The essential particular of this trade mark is the distinctive device.

NAME.

EARLIE, SCOTT, AND Co., LIMITED, of 10 Lower James Street, Regent Street, London W., England, Cap-manufacturers.

No. of class : 38.
Description of goods : Caps, hats, and other ready-made clothing.

No. of application : 9148.
Date : 10th November, 1910.

TRADE MARK.

The word

IDEALITE.

The essential particular of this trade mark is the word "Idealite."

NAME.

CHIPMAN LIMITED, of 8-10 Bridge Street, New York, in the United States of America, and also of 54 Margaret Street, Sydney, in the State of New South Wales, Commonwealth of Australia, and elsewhere, Merchants.

No. of class : 17.
Description of goods : Manufactures from mineral and other substances for building or decoration.

No. of application : 9149.
Date : 10th November, 1910.

TRADE MARK.

The word

TYCRETE.

NAME.

CHIPMAN LIMITED, of 8-10 Bridge Street, New York, in the United States of America, and also of 54 Margaret Street, Sydney, in the State of New South Wales, Commonwealth of Australia, and elsewhere, Merchants.

No. of class : 17.
Description of goods : Manufactures from mineral and other substances for building or decoration.

No. of application : 9150.
Date : 10th November, 1910.

TRADE MARK.

**MRS. HICKS'S
OINTMENT**

DIRECTIONS FOR USE.

Spread very thinly on clean white linen large enough to cover as far as the inflammation extends, wash the parts affected with warm water, wipe dry, then apply the plaster at least night and morning.

The applicants claim that the said trade mark has been used by them and their predecessors in business in respect of the article mentioned from before the 1st January, 1890.

NAME.

AMY MARY WILLIAMS, of 20 Arthur Street, Wellington, CLARA RACHEL SKINNER, of 6 Caroline Street, Wellington, and LILLIAN ELIZABETH BISHOP, of 18 Lancaster Street, Christchurch, all in the Dominion of New Zealand.

No. of class : 3.
Description of goods : An ointment for human use.

No. of application : 9151.
Date : 12th November, 1910.

TRADE MARK.

EEL
Boot
Regd.

The essential particular of this trade mark is the word "Eel," being the initials of the applicant, in a distinctive manner in conjunction with the word "Boot Regd.," and any right to the exclusive use of the words "Boot Regd." is disclaimed.

NAME.

ERNEST EDWIN LEANING, of Wakefield Street, Auckland, in the Dominion of New Zealand, Boot-manufacturer.

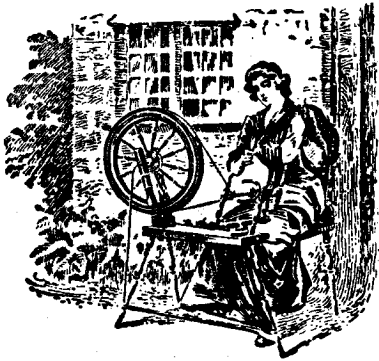
No. of class: 38.

Description of goods: Boots and shoes.

No. of application: 9152.

Date: 14th November, 1910.

TRADE MARK
THE SPINNING WHEEL.



The essential particulars of this trade mark are the distinctive device and the words "Spinning Wheel."

NAME.

JOHN SAMUEL KIRKPATRICK and WILLIAM HOLMES BARCLAY, trading as "Kirkpatrick and Barclay," of 66 Princes Street, Dunedin, in the Dominion of New Zealand, Drapers and Importers.

No. of class 27.

Description of goods: All goods included in this class.

No. of application: 9154.

Date: 14th November, 1910.

The word
TRADE MARK.
BOSCA.

NAME.

ELLIS AND MANTON, of Stout Street, Wellington, in the Dominion of New Zealand.

No. of class: 47.

Description of goods: Candles, detergents, and all lines in this class, except soap and articles of a like description.

No. of application 9155.

Date: 14th November, 1910.

The word
TRADE MARK.
NOCTURNE.

The essential particular of this trade mark is the name "Nocturne."

NAME.

JOOSTEN AND MURIE, of Wellington, in the Dominion of New Zealand, Merchants.

No. of class: 10.

Description of goods: Clocks.

No. of application: 9156.

Date: 14th November, 1910.

The word
TRADE MARK.
PIOURETTE.

The essential particular of this trade mark is the name "Piourette."

NAME.

JOOSTEN AND MURIE, of Wellington, in the Dominion of New Zealand, Merchants.

No. of class: 10.

Description of goods: Clocks.

No. of application: 9157.

Date: 14th November, 1910.

The word
TRADE MARK.
NELSONIA.

The essential particular of this trade mark is the name "Nelsonia."

NAME.

JOOSTEN AND MURIE, of Wellington, in the Dominion of New Zealand, Merchants.

No. of class: 10.

Description of goods: Clocks.

No. of application : 9160.

Date: 17th November, 1910.

TRADE MARK.



The essential particulars of this trade mark are the word "Pansy" and the pansy flower; and any right to the exclusive use of the added matter is disclaimed.

NAME.

BRYANT AND Co., LIMITED, of Hastings Street, Napier, in the Dominion of New Zealand, Grocers.

No. of class: 42.

Description of goods: Butter.

(By consent.)

No. of application : 9164.

Date: 21st November, 1910.

TRADE MARK.

The word

ZIMARRA.

NAME.

JONES BROS. AND Co., WOLVERHAMPTON, LIMITED, of Graiseley Works, Ablow Street, Wolverhampton, England, Manufacturers of Hardwares.

No. of class: 13.

Description of goods: Metal goods not included in other classes.

NAME.

THE ROVER COMPANY, LIMITED, of Meteor Works, Garfield Road, Coventry, Warwickshire, England, Cycle and Motor-car Manufacturers.

No. of class: 13.

Description of goods: All goods included in this class, —viz., metal goods not included in other classes.

No. of application: 9165.

Date: 21st November, 1910.

TRADE MARK.

The word

ROVER

NAME.

THE ROVER COMPANY, LIMITED, of Meteor Works, Garfield Road, Coventry, Warwickshire, England, Cycle and Motor-car Manufacturers.

No. of class: 6.

Description of goods: All goods included in this class—viz., machinery of all kinds, and parts of machinery, except agricultural and horticultural machines and their parts included in Class 7.

No. of application: 9166.

Date: 21st November, 1910.

TRADE MARK.

The word

ROVER

No. of application : 9169.
Date : 21st November, 1910.

TRADE MARK.

The word

CARBORUNDUM.

NAME.

THE CARBORUNDUM COMPANY, a corporation organized under the laws of the State of Pennsylvania, having its principal place of business at Niagara Falls, New York, United States of America.

No. of class : 50.
Description of goods : An abradant.

No. of application : 9170.
Date : 21st November, 1910.

TRADE MARK.

The word

HOLSUM.

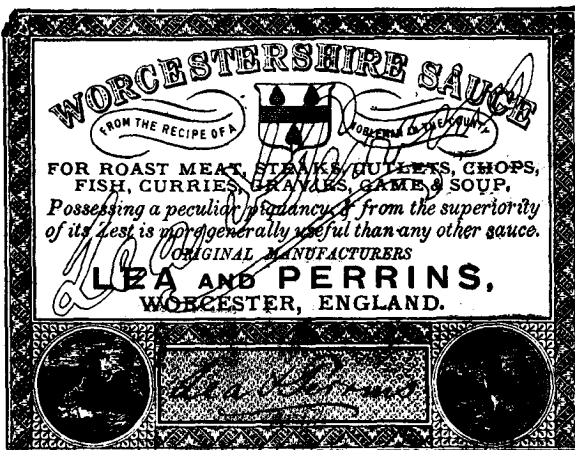
NAME.

EDWARD CLARENCE HALSEY, of Christchurch, in the Dominion of New Zealand, Fruit-preserver.

No. of class : 42.
Description of goods : Bottled and preserved fruits.

No. of application : 9174.
Date : 23rd November, 1910.

TRADE MARK.



Sold Wholesale by Cross & Blackwell, Ltd. C. & E. Morton, and the principal Dealers in Oilmen's Stores, London; John Duncan's Sons, New York; G. Shrimpton & Sons, Melbourne and Sydney; Geo. Wills & Co., Adelaide, Fremantle and Perth; Neill & Co., Ltd., Dunedin and Christchurch; Levin & Co., Ltd., and W. & G. Turnbull & Co., Wellington; Weir, Scott & Co. and Rogers & Co., Valparaiso; J. M. Douglas & Co. and C. E. Colson & Son, Montreal.
Registered in U.S. Patent Office.

The essential particulars of this trade mark are the combination of devices and the fac-simile signatures "Lea and Perrins"; and the applicants disclaim any right to the exclusive use of the added matter, except in so far as it consists of their name and address.

NAME.

LEA AND PERRINS, of Midland Road, Worcester, England, Sauce-manufacturers.

No. of class : 42.
Description of goods : Sauce.

No. of application : 9175.
Date : 23rd November, 1910.

TRADE MARK.



The essential particulars of this trade mark are the device and the words "Two Steeples."
The applicants claim that the said trade mark has been used by them and their predecessors in business in respect of the articles mentioned from 1st October, 1888.

NAME.

TWO STEEPLES LIMITED, of Two Steeples Works, Leicester Road, Wigston Magna, Leicester, England, Manufacturers.

No. of class : 38.
Description of goods : Articles of clothing.

No. of application : 9176.
Date : 23rd November, 1910.

TRADE MARK.

The word

AERMAGNA.

The essential particular of this trade mark is the word "Aermagna."

NAME.

TWO STEEPLES LIMITED, of Two Steeples Works, Leicester Road, Wigston Magna, Leicester, England, Manufacturers.

No. of class : 38.
Description of goods : Articles of clothing.

No. of application: 9177.
Date: 23rd November, 1910.

TRADE MARK.

The word

EDINA.

The essential particular of this trade mark is the word "Edina."

NAME.

A. AND T. BURT, LIMITED, of Dunedin, and elsewhere in the Dominion of New Zealand, Manufacturers and Importers.

No. of class: 40.

Description of goods: Machinery driving-belts and bands composed of gutta-percha and canvas.

No. of application: 9182.
Date: 23rd November, 1910.

TRADE MARK.

The word

KILVEY.

NAME.

BALDWIN'S LIMITED, whose registered office is at Salisbury House, 45 Wind Street, Swansea, Wales, Manufacturers.

No. of class: 5.

Description of goods: Tinned iron and steel sheets and plates, terne sheets and plates, black iron and steel sheets and plates, Canada sheets and plates, tinned taggers, terne taggers, and black taggers, and galvanized iron and steel sheets.

No. of application: 9184.
Date: 24th November, 1910.

TRADE MARK.

The words

The Opotiki Herald.

The applicant claims that the said trade mark has been used by him and his predecessors in business in respect of the article mentioned from 1883.

NAME.

JOHN CLARENDON ARTHUR, of Opotiki, in the Dominion of New Zealand, Newspaper-owner.

No. of class: 39.

Description of goods: A newspaper printed and published in Opotiki.

J. C. LEWIS,
Registrar.

Trade Marks registered.

LIST of Trade Marks registered from the 12th to the 26th November, 1910, inclusive:—

- No. 7092/8783.—R. I. Clark and Co. (Australasia), Limited. Class 1. (*Gazette* No. 83, of the 8th September, 1910.)
No. 7093/8922.—W. L. Johnstone and A. Hosking. Class 7. (*Gazette* No. 83, of the 8th September, 1910.)
No. 7094/8926.—W. H. Paling and Co., Limited. Class 8. (*Gazette* No. 83, of the 8th September, 1910.)
No. 7095/8937.—J. B. Brooks and Co., Limited. Class 49. (*Gazette* No. 83, of the 8th September, 1910.)

No. 7096/8959.—Smith and Davis, Limited. Class 13. (*Gazette* No. 83, of the 8th September, 1910.)

No. 7097/8960.—E. Cook and Co., Limited. Class 2. (*Gazette* No. 83, of the 8th September, 1910.)

No. 7098/8961.—A. W. Phillips. Class 2. (*Gazette* No. 83, of the 8th September, 1910.)

No. 7099/8962.—Sunset Drug Company. Class 3. (*Gazette* No. 83, of the 8th September, 1910.)

No. 7100/8907, 7101/8908, 7102/8909, 7103/8910, 7104/8911.—A. H. and A. E. Humphries. Class 42. (*Gazette* No. 77, of the 11th August, 1910.)

No. 7105/8933.—Dent, Allcroft, and Co. Class 38. (*Gazette* No. 83, of the 8th September, 1910.)

Trade Mark Renewal Fees paid.

FEES paid for the renewal of the undermentioned Trade Marks for fourteen years from the date first mentioned:—

No. 1682/1484.—24th April, 1910.—W. B. Clarkson, Hornby, N.Z. 25th October, 1910.

Nos. 1905/1524 and 1906/1525.—8th February, 1911.—G. Humphreys and W. T. Charlewood, "Fletcher, Humphreys, and Co.," Christchurch, N.Z. 16th November.

Trade Marks removed from the Register.

TRADE Marks removed from the Register owing to the non-payment of the renewal fee, from the 12th to the 26th November, 1910, inclusive:—

Nos. 1777/1417 and 1778/1418.—12th August, 1896.—Woodberry Manufacturing Company, of Baltimore, U.S.A. Class 25.

No. 1780/1460.—12th August, 1896.—Veuve Pommery Fils et Cie, of Reims, France. Class 43.

No. 1781/1420.—12th August, 1896.—E. Thompson, of Nottingham, Eng. Class 3.

Nos. 1783/1436 and 1785/1422.—12th August, 1896.—Champion and Co., of London, Eng. Class 42.

No. 1786/1430.—12th August, 1896.—Burgon and Wilkinson, Limited, of Sheffield, Eng. Class 12.

No. 1788/1604.—17th August, 1896.—J. Griffiths Cycle Corporation, Limited, of Dublin, Ireland, and Coventry, Eng. Class 22.

No. 1789/1431.—22nd August, 1896.—Ahlfeld Bros. and Co., of Dunedin, N.Z. Class 12.

No. 1808/1433.—15th August, 1896.—New Zealand Loan and Mercantile Agency Company, Limited, of Wellington, N.Z. Class 42.

Trade Mark restored to the Register.

THE following Trade Mark has been restored to the Register:—

No. 1682/1484.—W. B. Clarkson, of Hornby, N.Z. (application for restoration advertised in Supplement to *New Zealand Gazette* No. 97, of the 3rd November, 1910.)

Subsequent Proprietors of Trade Marks registered.

[NOTE.—The name of the former proprietor is given in brackets; the date is that of registration.]

NO. 1729/1390.—The Rover Company, Limited, a company duly registered under the Companies Acts, whose registered address is Meteor Works, Garfield Road, Coventry, Warwickshire, England, General Engineers and Machinists. (The Rover Cycle Company, Limited.—C. W. Bennett.) 23rd November, 1910.

No. 1842/1466.—F. T. Wimble and Co., Limited, of 87 and 89 Clarence Street, Sydney, New South Wales, Printers' Outfitters. (F. T. Wimble.) 17th November, 1910.

No. 6077/5067.—John B. Chatterley and Sons, Limited, of 111 to 119 Newton Road, Birmingham, England. (J. A. McIntosh.) 15th November, 1910.

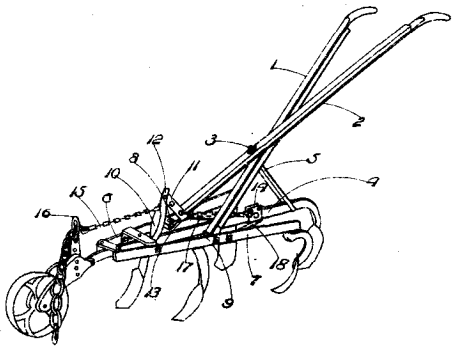
Request for Amendment of Trade Mark Application.

NO. 9099.—Ellis and Manton. Advertised in Supplement to *New Zealand Gazette* No. 97, of the 3rd November, 1910. To add the words "with the exception of soap" to the statement of goods.

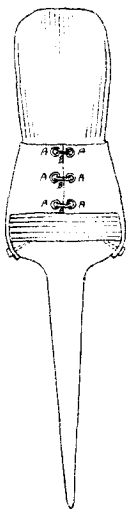


ILLUSTRATIONS OF INVENTIONS.

[These illustrations refer to the complete specifications accepted, and advertised in this *Gazette*.]



Horse-hoe: Draught. Bain. 27220.



Brush-binder. Lanchester. 27222.

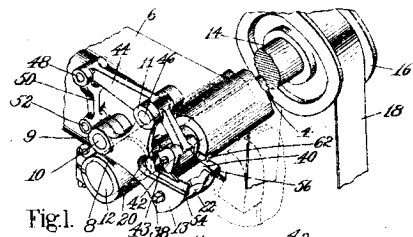


Fig. 1.

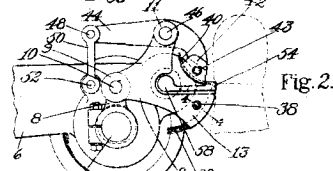


Fig. 2.

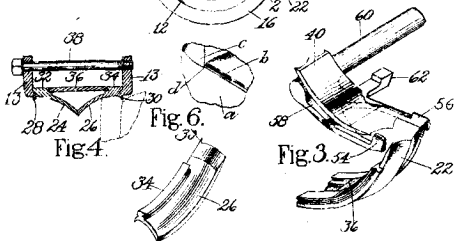
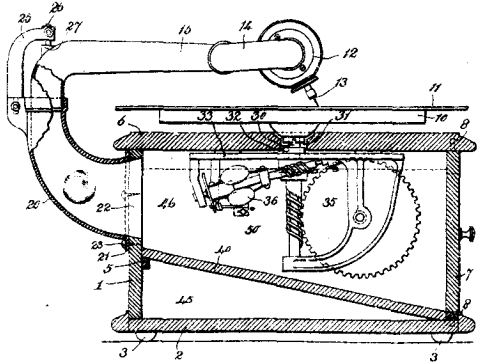


Fig. 5.

Boot-edge-trimming Machine. United Shoe Machinery Company. (Perry.) 27239.



Talking-machine. Nier and Ehmer. 27492.

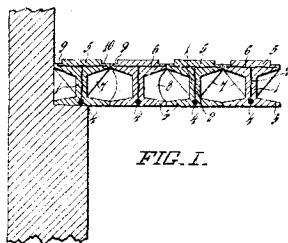


FIG. 1.

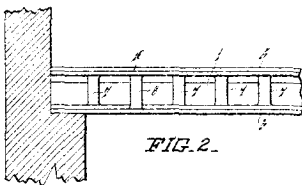
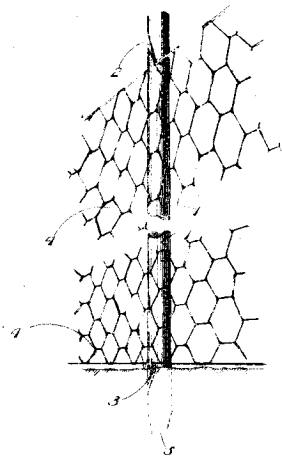
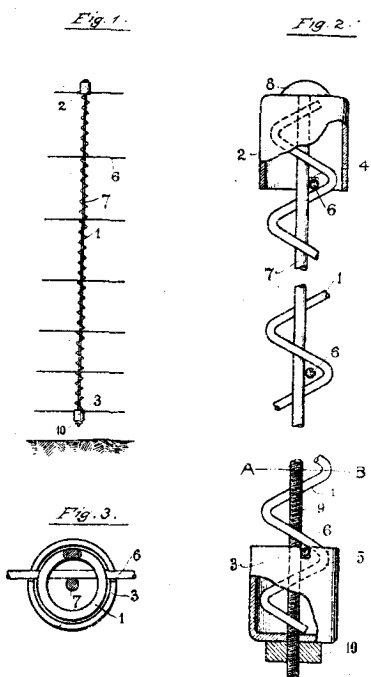


FIG. 2.

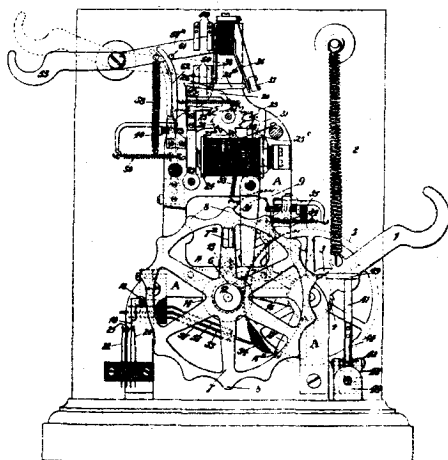
Concrete Joist. Pearson. 27967.



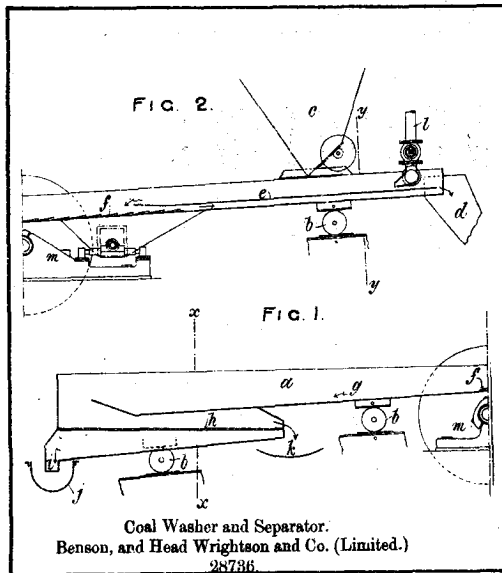
Wire-netting Spreader. Macgregor. 27880.



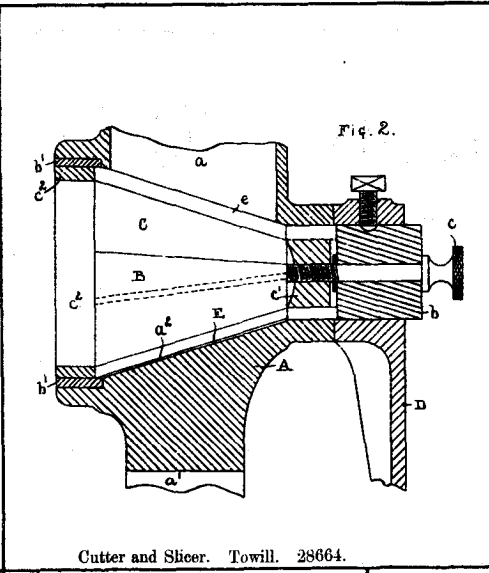
Fencing-dropper. Loewenthal. 27910.



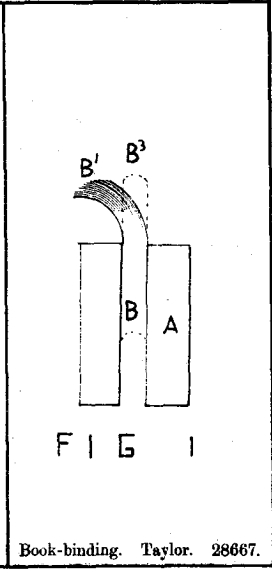
Electro-mechanical Selector. Godfre. 27806.



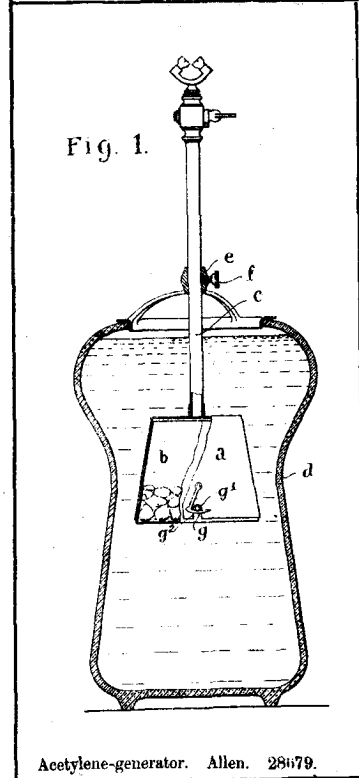
Coal Washer and Separator.
Benson, and Head Wrightson and Co. (Limited).
28736.



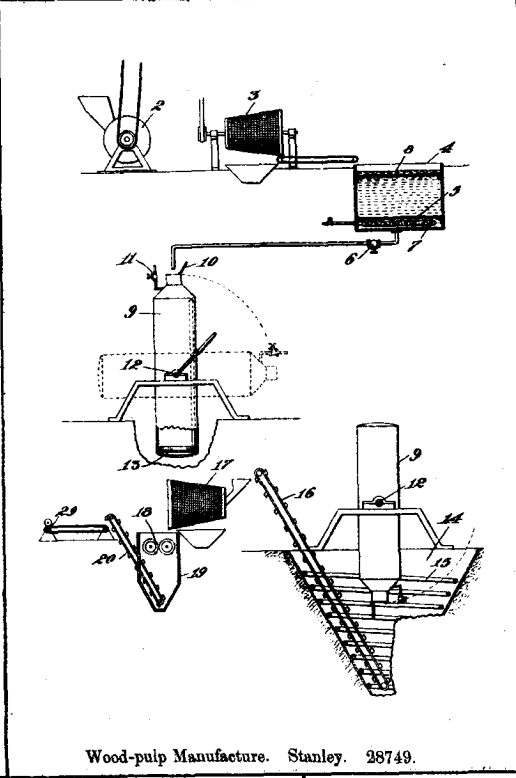
Cutter and Slicer. Towill. 28664.



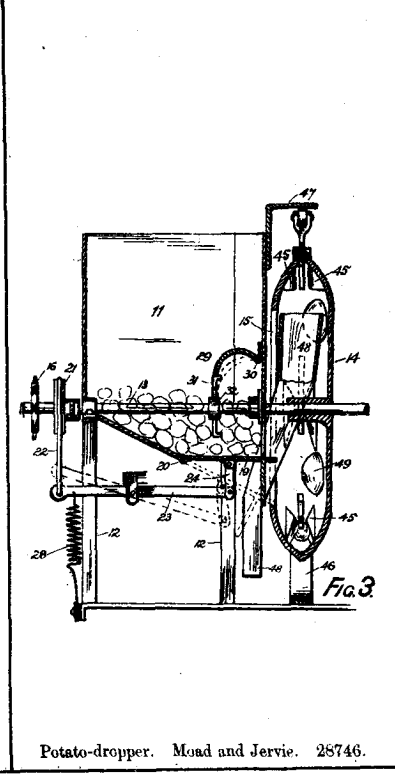
Book-binding. Taylor. 28667.



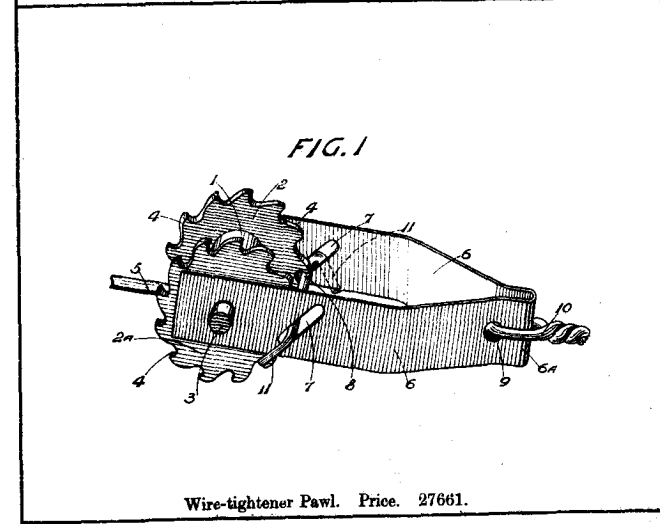
Acetylene-generator. Allen. 28679.



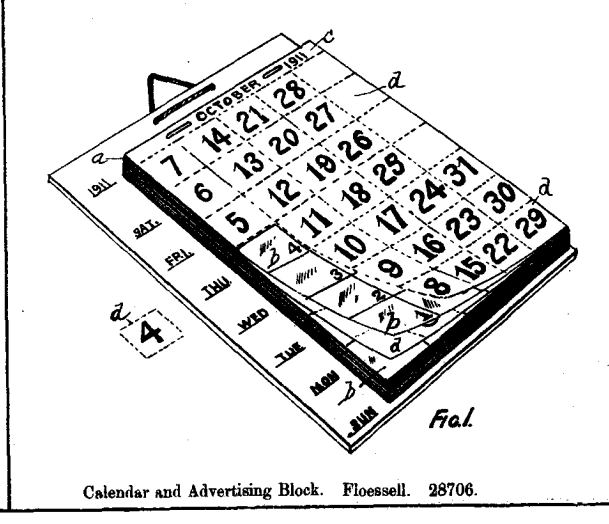
Wood-pulp Manufacture. Stanley. 28749.



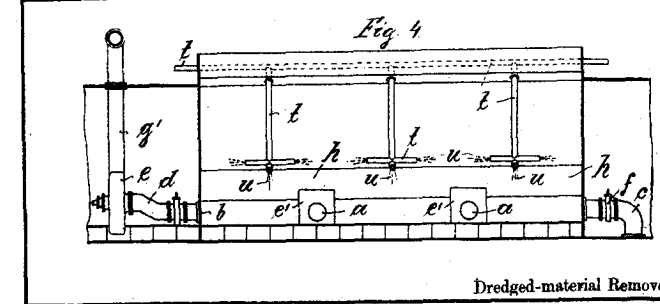
Potato-dropper. Moad and Jervie. 28746.



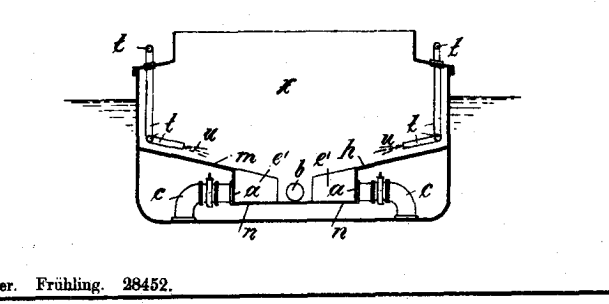
Wire-tightener Pawl. Price. 27661.

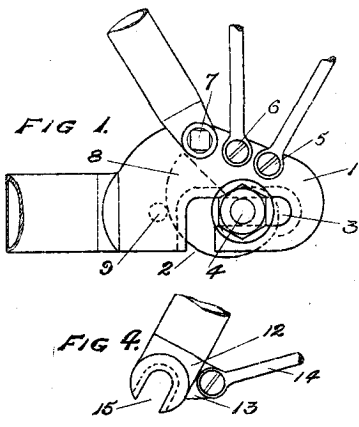


Calendar and Advertising Block. Floessell. 28706.

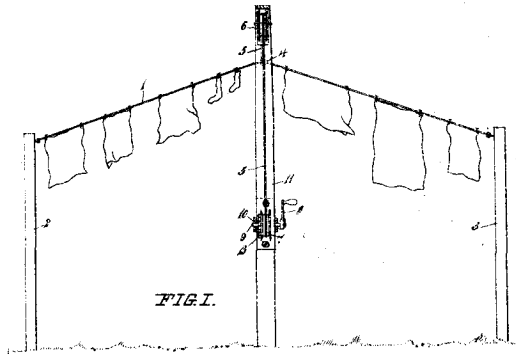


Dredged-material Remover. Frühling. 28452.

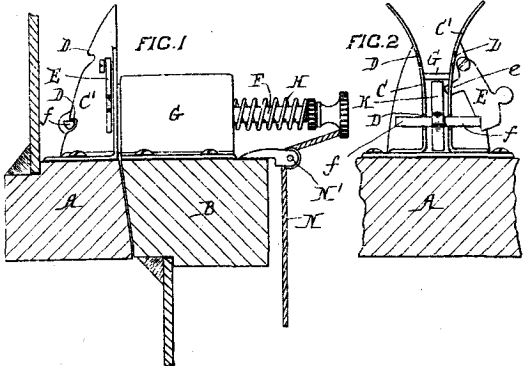




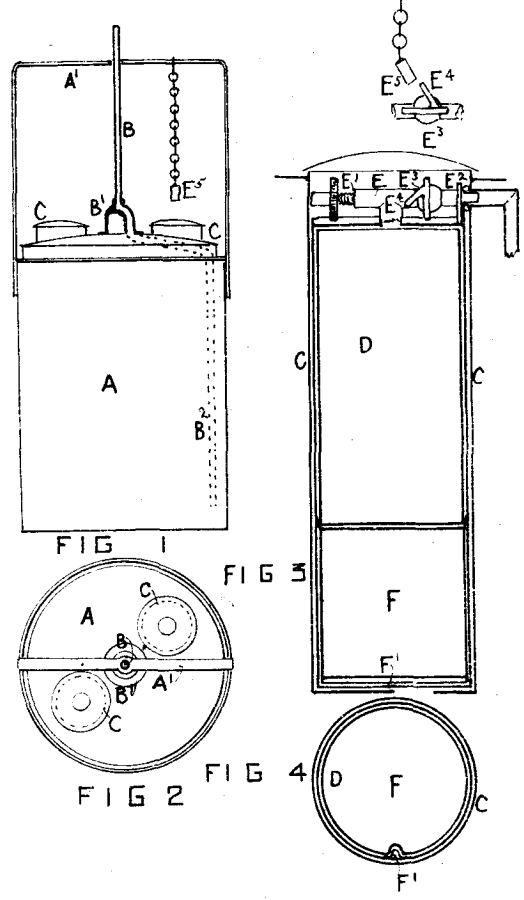
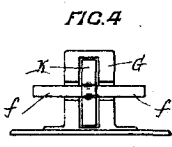
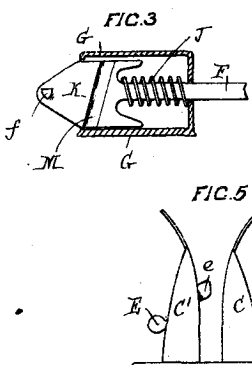
Cycle-fitting. McKellar. 28646.



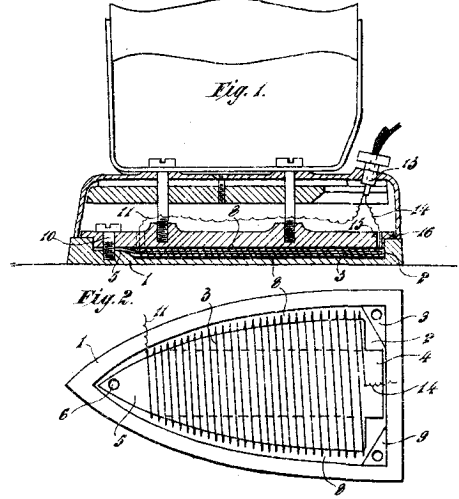
Clothes-line Apparatus. McGee. 28695.



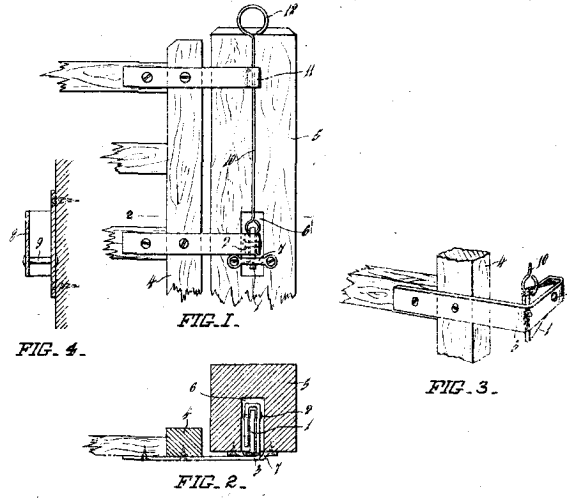
Sash-lock. Nelson. 27808.



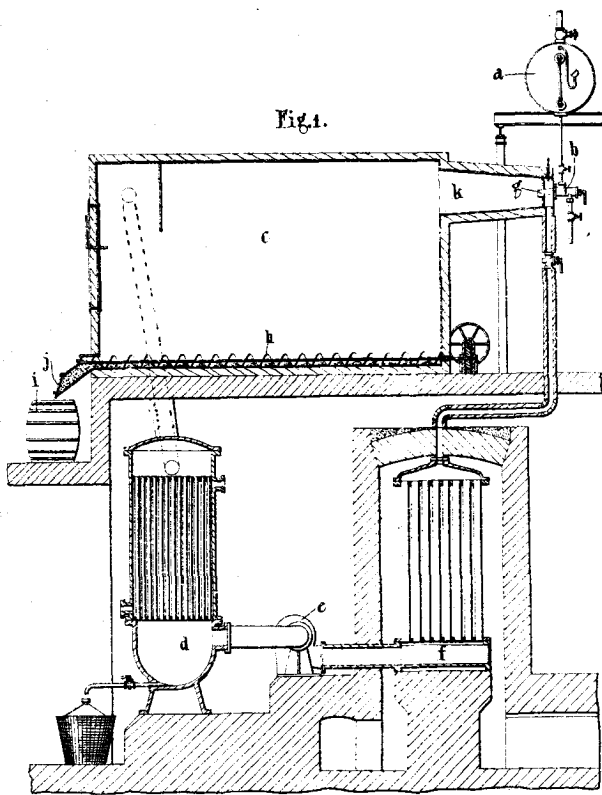
Acetylene-generator. Dyer. 28755.



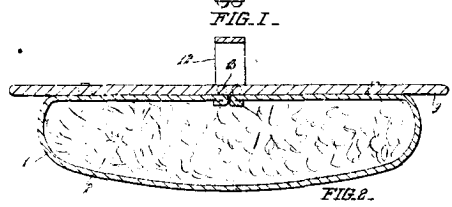
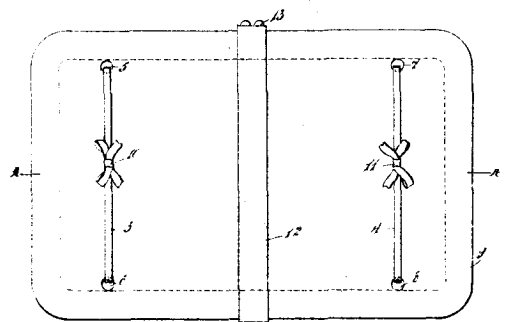
Electric Iron. Kirkwood. 28701.



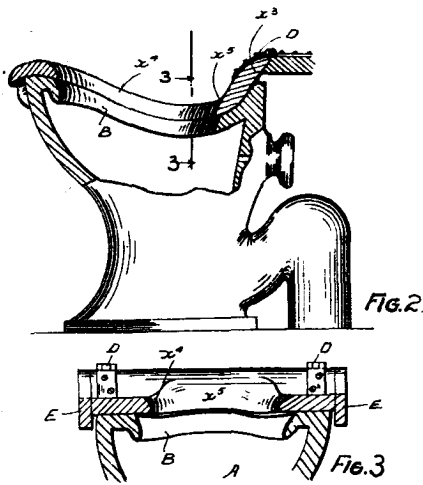
Gate-latch. Clapcott. 28232.



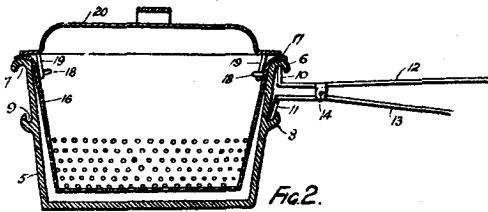
Milk-desiccation. Climie. (Thermo Chemical Laboratories (Limited).—Ekenberg.) 28156.



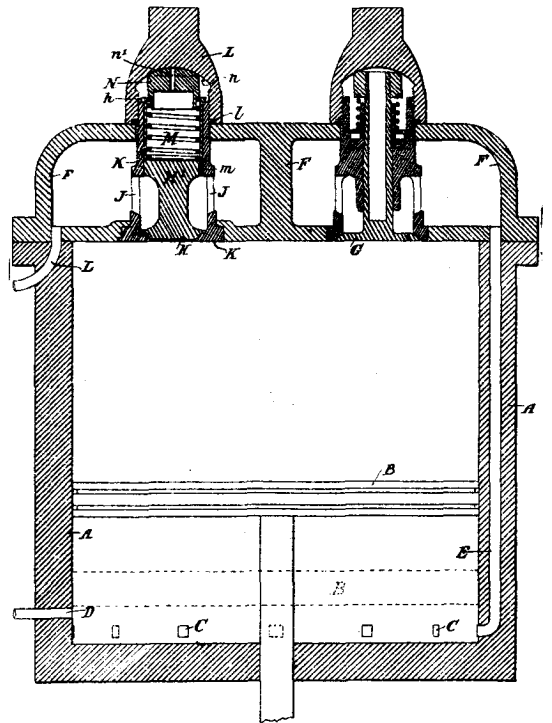
Boot-polishing Pad. Williams. 28337.



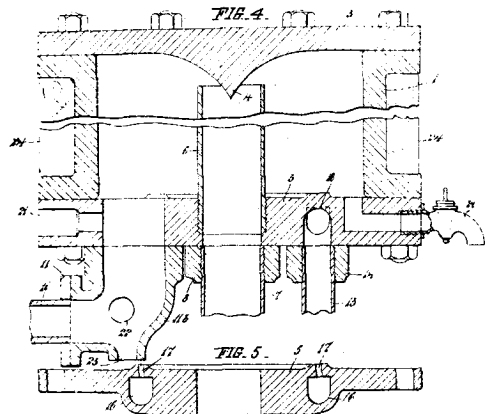
Closest Seat and Pan. Gallop. 28666.



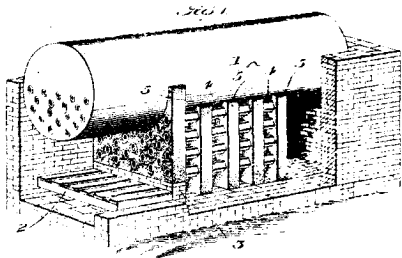
Saucepan. Hanlon and Eland. 28747.



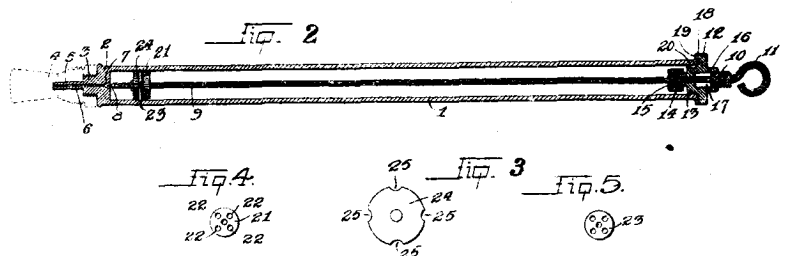
Valve for Refrigerator. Tetley. 28627.



Pasteuriser. Johnstone and Hosking. 28672.



Furnace. Paul, Lynch, and Meyer. 28683.



Brush, Fountain. Cardinet. 28685.